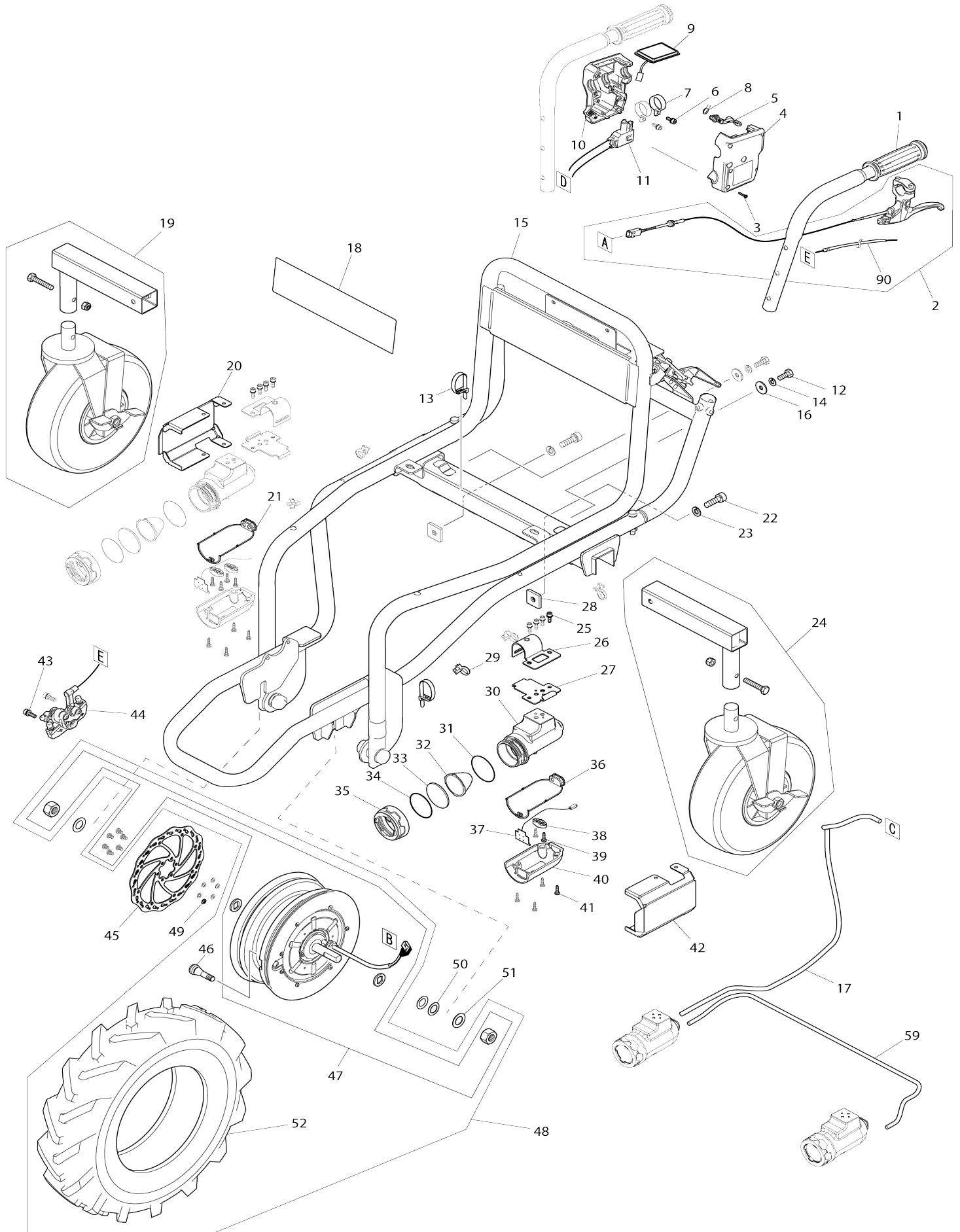
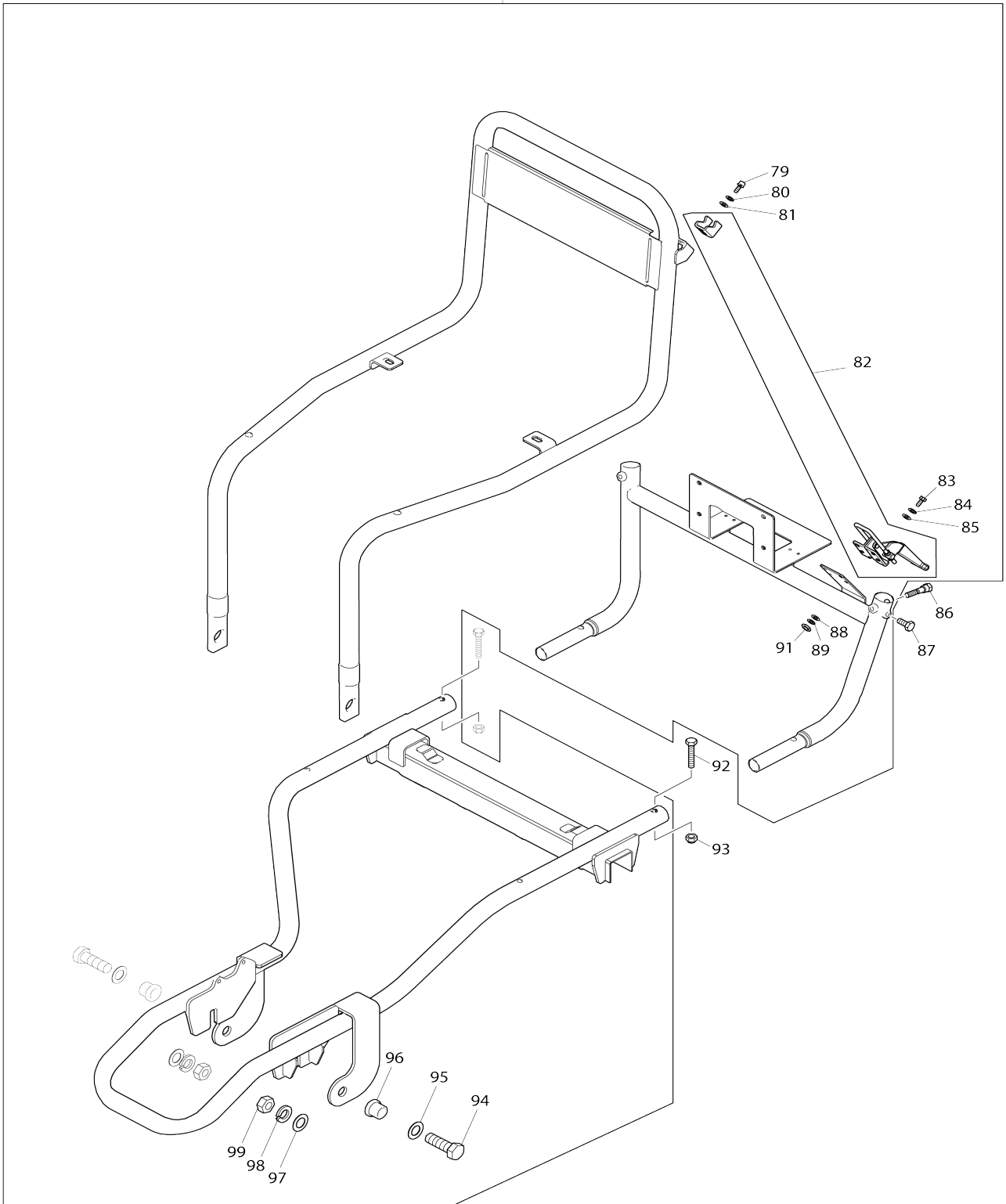


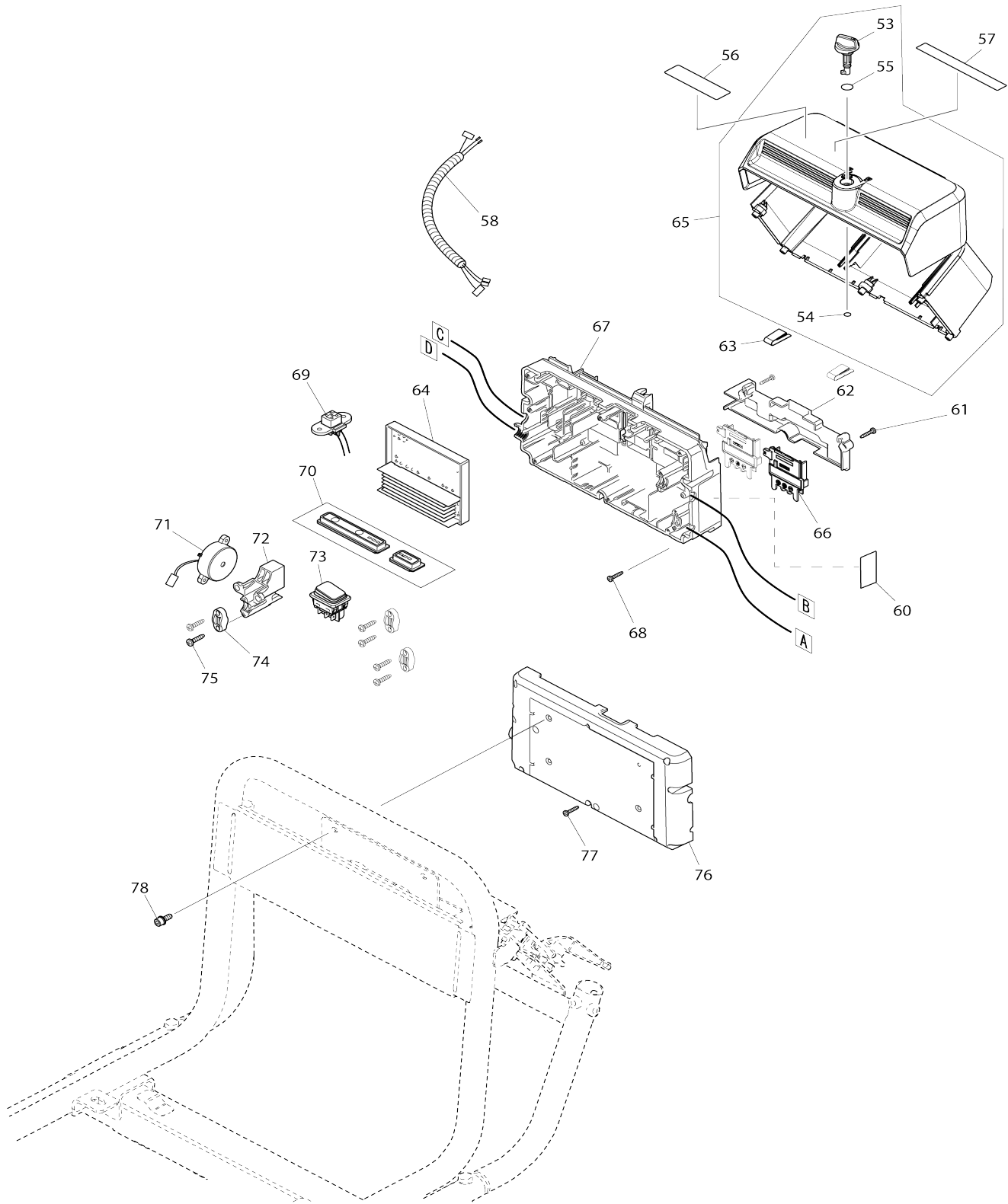
# Model No.DCU180 BATTERY POWERED WHEELBARROW



15



# Model No.DCU180 BATTERY POWERED WHEELBARROW



Item No.	Parts No.	Description
001	161640-0	HANDLE COMPLETE
001-1	141R21-2	HANDLE COMPLETE
002	161648-4	BRAKE ASSEMBLY
002		INC. 90
003	266130-9	TAPPING SCREW BIND PT 3X16
004	183H15-1	SWITCH BOX SET
C10	813J54-6	CAUTION LABEL
004		INC. 10
004-1	183H15-1	SWITCH BOX SET
C10	813J54-6	CAUTION LABEL
004-1		INC. 10
005	457633-6	SWITCH LEVER
006	922223-9	H.S.H.BOLT M5X16 WITH WR
006-1	265A97-4	H.S.H.BOLT M5X16 WITH WR
007	346249-1	PIPE CLAMP 28
008	233540-5	TORSION SPRING 11
009	144521-3	SWITCH PLATE COMPLETE
C10	812S78-3	SWITCH LABEL
010	183H15-1	SWITCH BOX SET
C10	813J54-6	CAUTION LABEL
010		INC. 4
010-1	183H15-1	SWITCH BOX SET
C10	813J54-6	CAUTION LABEL
010-1		INC. 4
011	650781-2	SWITCH C3JW-6B-P
012	251595-8	HEX.BOLT M8X20
013	687410-4	BAND
014	942201-3	SPRING WASHER 8
015	126589-1	FRAME ASSEMBLY
015		INC. 79-89,91-99
015-1	126905-7	FRAME ASSEMBLY
015-1		INC. 79-89,91-99
015-1		INC. 79-85,88,89,91,94-99
015-2	126905-7	FRAME ASSEMBLY
015-2		INC. 79-85,88,89,91,94-99
016	253852-0	FLAT WASHER 8
017	699095-4	POWER SUPPLY CORD UNIT
018	812S79-1	MAKITA LOGO LABEL
019	126893-8	REAR TIRE R ASSEMBLY
C10	161639-5	JOINT
C20	161868-0	TIRE 260 WITH STOPPER
C30	921467-8	HEX. BOLT M8X45
C40	252105-4	HEX. LOCK NUT M8-13
019-1	127092-5	REARTIRE ASSEMBLY WITH STOPPER
C10	161836-3	JOINT
C20	161868-0	TIRE 260 WITH STOPPER
C30	921467-8	HEX. BOLT M8X45

C40	252105-4	HEX. LOCK NUT M8-13
019-2	127092-5	REARTIRE ASSEMBLY WITH STOPPER
C10	161836-3	JOINT
C20	161868-0	TIRE 260 WITH STOPPER
C30	921467-8	HEX. BOLT M8X45
C40	252105-4	HEX. LOCK NUT M8-13
020	347278-7	GUARD R
021	422151-3	PACKING
022	266240-2	HEX. SOCKET HEAD BOLT M10X25
023	941251-5	FLAT WASHER 10
024	126837-8	REAR TIRE L ASSEMBLY
C10	161663-8	JOINT L
C20	161868-0	TIRE 260 WITH STOPPER
C30	921467-8	HEX. BOLT M8X45
C40	252105-4	HEX. LOCK NUT M8-13
024-1	127092-5	REARTIRE ASSEMBLY WITH STOPPER
C10	161836-3	JOINT
C20	161868-0	TIRE 260 WITH STOPPER
C30	921467-8	HEX. BOLT M8X45
C40	252105-4	HEX. LOCK NUT M8-13
024-2	127092-5	REARTIRE ASSEMBLY WITH STOPPER
C10	161836-3	JOINT
C20	161868-0	TIRE 260 WITH STOPPER
C30	921467-8	HEX. BOLT M8X45
C40	252105-4	HEX. LOCK NUT M8-13
025	922223-9	H.S.H.BOLT M5X16 WITH WR
025-1	265A97-4	H.S.H.BOLT M5X16 WITH WR
026	347238-9	CLAMP A
027	347239-7	CLAMP B
028	347394-5	PLATE
029	687849-1	BAND
030	319594-7	LIGHT CASE
031	213656-2	O RING 53
032	457636-0	REFLECTOR
033	457634-4	LENS
034	213604-1	O RING 50
035	457635-2	COVER
036	422166-0	PACKING
037	620685-2	LED CIRCUIT
038	687123-7	STRAIN RELIEF
039	266034-5	TAPPING SCREW CT 4X16
040	319595-5	LIGHT CASE COVER
041	266034-5	TAPPING SCREW CT 4X16
042	347279-5	GUARD L
043	922328-5	H.S.H.BOLT M6X18 WITH WR
043-1	265A98-2	H.S.H.BOLT M6X18 WITH WR
044	161641-8	BRAKE CALIPER ASSEMBLY
045	347208-8	BRAKE DISC

046	161638-7	SNAP IN VALVE
047	126590-6	WHEEL
C10	BF00000002	HEX. NUT M16
C20	BF00000003	FLAT WASHER
C30	BF00000001	HEX. SOCKET BUTTON BOLT M5X 8
047-1	126590-6	WHEEL
C10	BF00000002	HEX. NUT M16
C20	BF00000003	FLAT WASHER
C30	BF00000001	HEX. SOCKET BUTTON BOLT M5X 8
047-2	126904-9	WHEEL
C10	BF00000002	HEX. NUT M16
C20	BF00000003	FLAT WASHER
C30	BF00000001	HEX. SOCKET BUTTON BOLT M5X 8
048	126734-8	FRONT TIRE ASSEMBLY
048		INC. 46,47,52
048-1	127081-0	FRONT TIRE ASSEMBLY
048-1		INC. 46,47,52
049	941102-2	FLAT WASHER 5
050	232247-0	CONED DISC SPRING 16
050-1	232605-0	CONED DISC SPRING 16
051	253377-4	FLAT WASHER 17
051-1	253470-4	FLAT WASHER 17
052	422159-7	FRONT TIRE 430
053	457625-5	LEVER 25
054	213005-3	O RING 5
055	213078-6	O-RING 10
056	816M70-5	INDICATION LABEL
057	816N32-9	CAUTION LABEL
058	632K49-4	LEAD UNIT
059	699096-2	POWER SUPPLY CORD UNIT
C10	682576-5	GROMMET
C20	688162-0	LINE FILTER
060	853S84-9	DCU180 NAME PLATE
061	266130-9	TAPPING SCREW BIND PT 3X16
062	457629-7	TERMINAL HOLDER
063	232267-4	LEAF SPRING
064	620675-5	CONTROLLER
064-1	620M45-6	CONTROLLER
065	135934-9	BATTERY BOX ASSY
065		INC. 53-55
066	643874-2	TERMINAL
067	144519-0	CENTER CASE COMPLETE
C10	263005-3	RUBBER PIN 6
068	266130-9	TAPPING SCREW BIND PT 3X16
069	632K50-9	LEAD UNIT
070	144520-5	SUB CONTROLLER COMPLETE
071	620684-4	BUZZER CIRCUIT
072	457630-2	COVER
073	651534-2	SWITCH 1934.3112B

074	687123-7	STRAIN RELIEF
075	266326-2	TAPPING SCREW 4X18
076	457628-9	FRONT COVER
077	266130-9	TAPPING SCREW BIND PT 3X16
078	922218-2	H.S.H.BOLT M5X14 WITH WR
078-1	265A96-6	H.S.H.BOLT M5X14 WITH WR
079	TR00000069	HEX.SOCKET HEAD BOLT M5X14
080	942101-7	SPRING WASHER 5
081	941101-4	FLAT WASHER 5
082	TR00000067	LOCK LEVER
083	TR00000068	HEX.BOLT M5X16
084	942101-7	SPRING WASHER 5
085	941101-4	FLAT WASHER 5
086	251594-0	SHOULDER HEX. BOLT M8X40
087	251595-8	HEX.BOLT M8X20
088	941101-4	FLAT WASHER 5
089	942101-7	SPRING WASHER 5
090	144700-3	BRAKE CABLE
091	931202-6	HEX. NUT M5
092	921467-8	HEX. BOLT M8X45
093	252105-4	HEX. LOCK NUT M8-13
094	TR00000070	HEX.BOLT M16X50
095	TR00000073	FLAT WASHER 17
096	326968-5	SLEEVE 17
097	TR00000073	FLAT WASHER 17
098	TR00000072	SPRING 16
099	TR00000071	HEX.NUT M16-24
100	941102-2	FLAT WASHER 5
101	253377-4	FLAT WASHER 17
A01	144675-6	FOOT COMPLETE
A02	455588-9	WIRE CLAMP
A03	643890-4	KEY
A04	781006-4	WRENCH 13
A04-1	781039-9	WRENCH 13
E01	688162-0	LINE FILTER
E02	688163-8	LINE FILTER
F02	199008-0	BUCKET SET(EU)
F03	199009-8	CARRIER SET
F05	191A01-6	AUXILIARY WHEEL ATTACHMENT SET